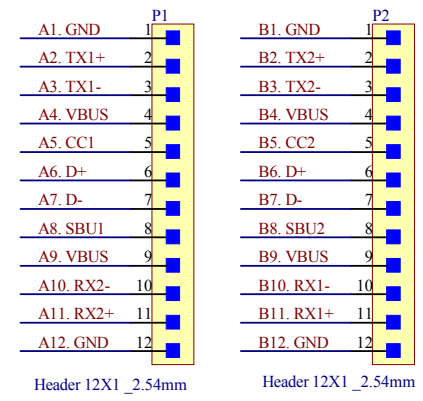
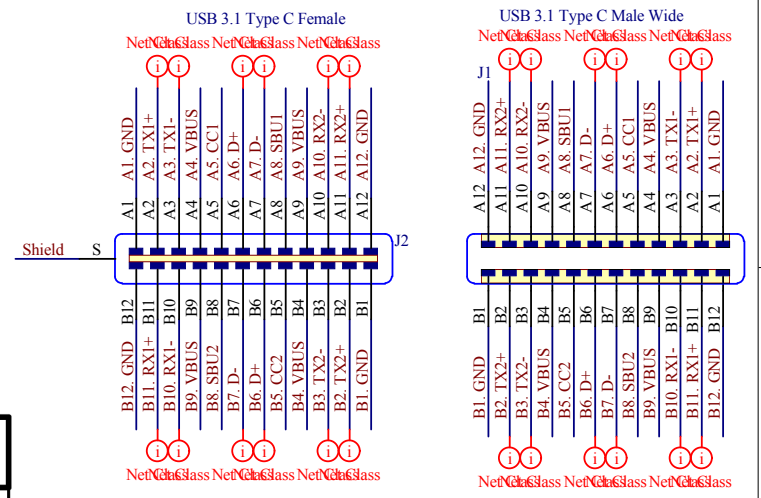


* PCB 0.8mm THICKNESS



Title		
USB3.1 Type C Female To Male Pass Through Breakout Board		
Size	Number	Revision
A4	USB3.1-CM-CF-V1A	1A
Date:	9/6/2017	Sheet of
File:	C:\Users\...USB3.1-CM-CF-V1A Drawing	By: www.eLabGuy.com